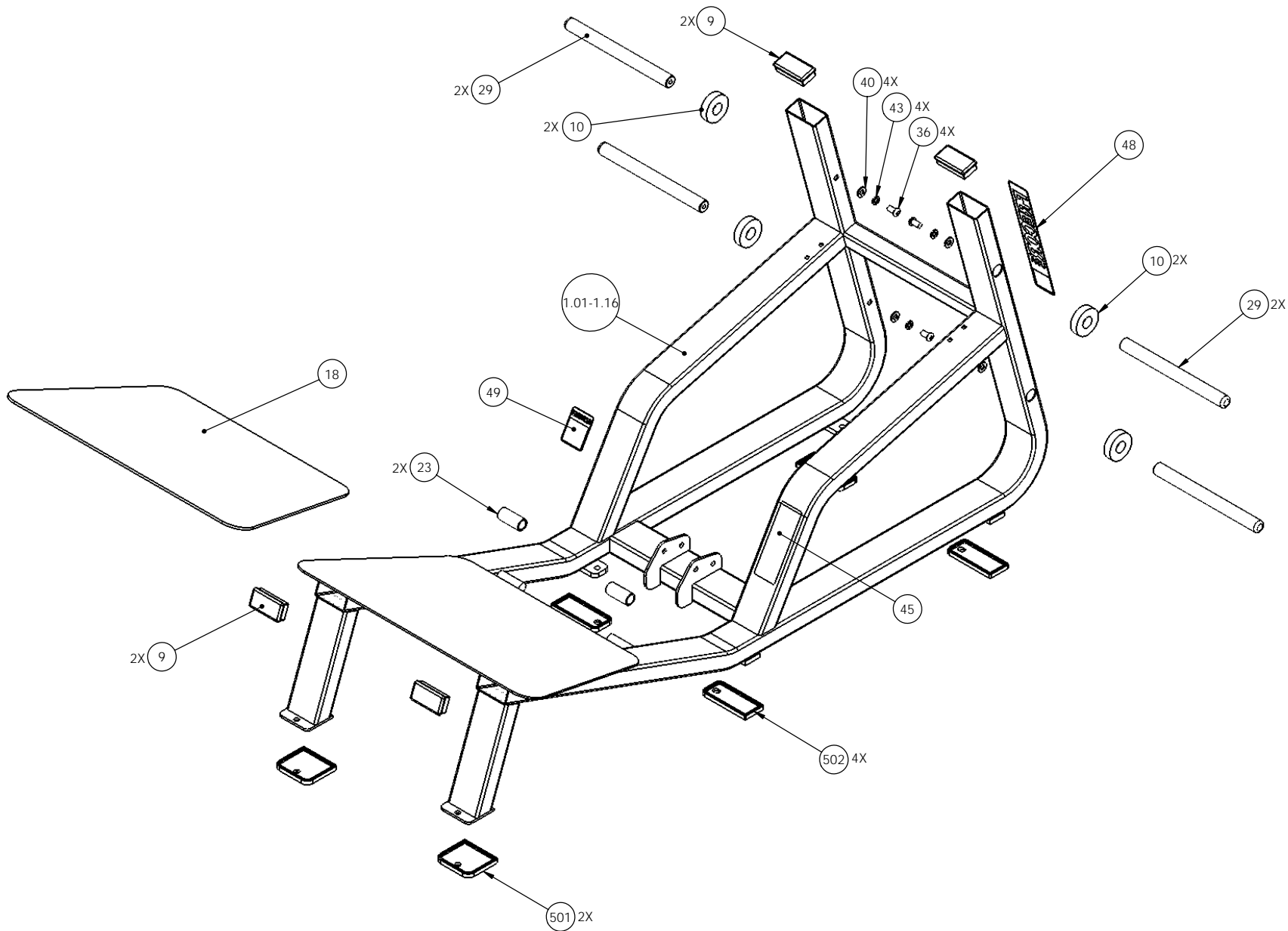
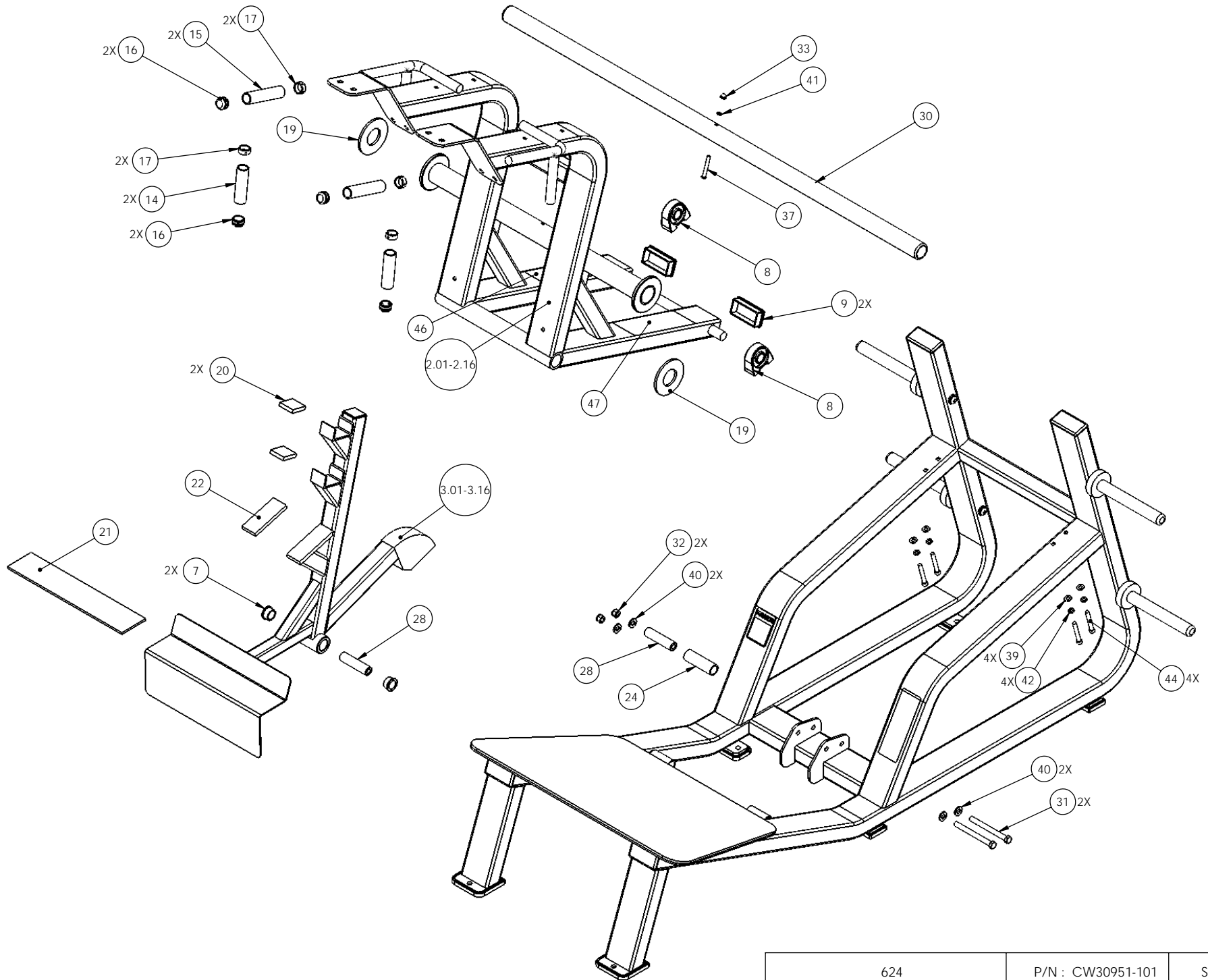


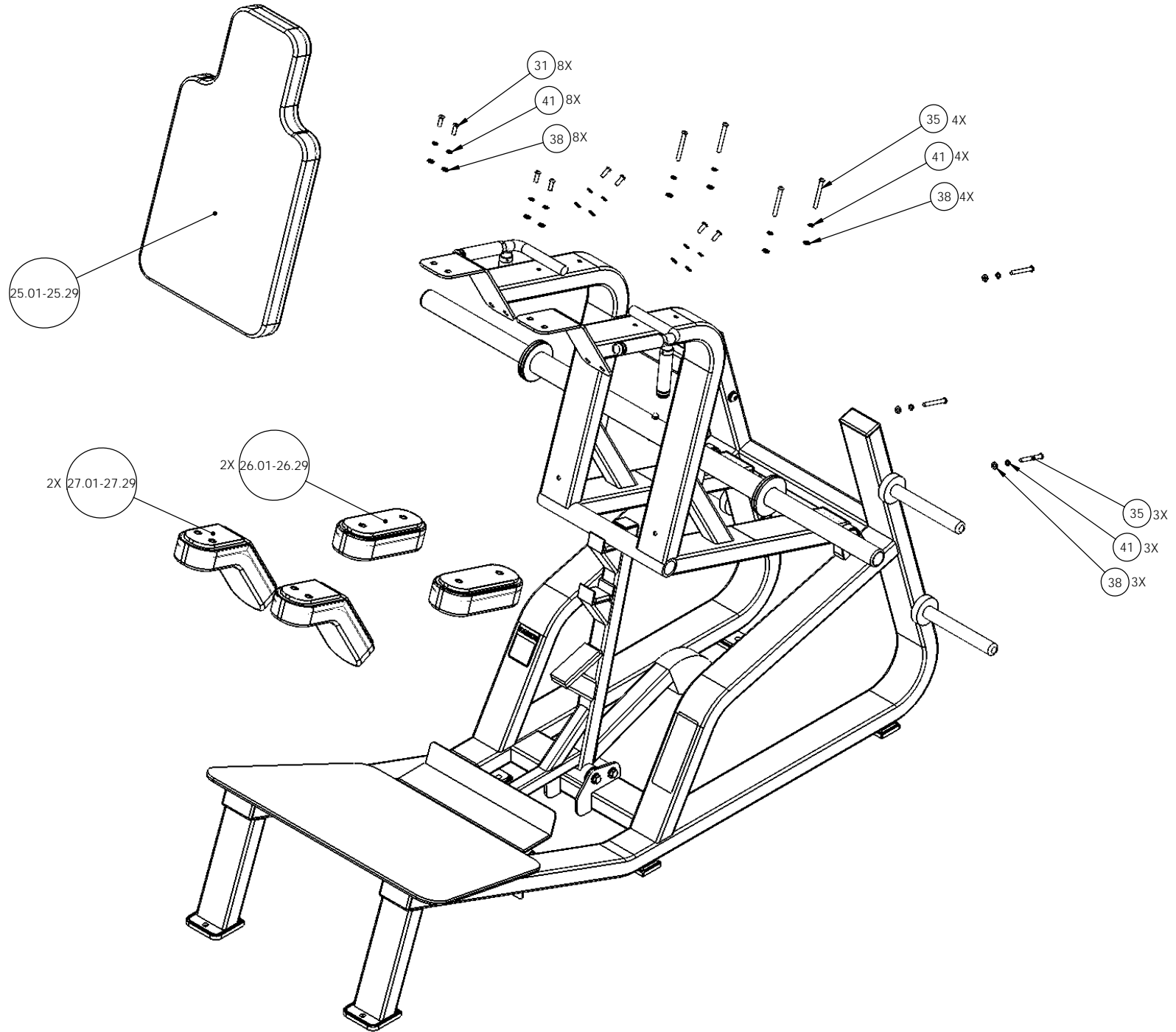
624	P/N : CW30951-101	SUBREV : B
DRAWN BY : CT	DATE : 10.01.05	SHEET 1 OF 4



624	P/N : CW30951-101	SUBREV : B
DRAWN BY : CT	DATE : 10.01.05	SHEET 2 OF 4



624	P/N : CW30951-101	SUBREV : B
DRAWN BY : CT	DATE : 10.01.05	SHEET 3 OF 4



624	P/N : CW30951-101	SUBREV : B
DRAWN BY : CT	DATE : 10.01.05	SHEET 4 OF 4

**562 Flite Power Squat**

<b>Part Number</b>	<b>Description</b>	<b>Bubble Number</b>
CW624SA1-211	ASSY,624/FLT562 MAIN FRAME, SKY WHI	1.01
CW624SA1-221	ASSY,624/FLT562 MAIN FRAME, BLACK	1.02
CW624SA1-231	ASSY,624/FLT562 MAIN FRAME, RED	1.03
CW624SA1-241	ASSY,624/FLT562 MAIN FRAME, PLATINU	1.04
CW624SA1-251	ASSY,624/FLT562 MAIN FRAME, SILVER	1.05
CW624SA1-261	ASSY,624/FLT562 MAIN FRAME, BLUE	1.06
CW624SA1-271	ASSY,624/FLT562 MAIN FRAME, CHARCOA	1.07
CW624SA1-281	ASSY,624/FLT562 MAIN FRAME, CATHEDR	1.08
CW624SA1-291	ASSY,624/FLT562 MAIN FRAME,SILVER V	1.09
CW624SA1-311	ASSY,624/FLT562 MAIN FRAME, STONE H	1.11
CW624SA1-321	ASSY,624/FLT562 MAIN FRAME,TITANIUM	1.12
CW624SA1-331	ASSY,624/FLT562 MAIN FRAME,WHITE GL	1.13
CW624SA1-341	ASSY,624/FLT562 MAIN FRAME,BLACK ON	1.14
CW624SA1-351	ASSY,624/FLT562 MAIN FRAME,LIGHT BR	1.15
CW624SA1-361	ASSY,624/FLT562 MAIN FRAME,SAPPHIRE	1.16
CW624SA2-211	ASSY, CARRIAGE, 624/FLT562,SKY WHIT	2.01
CW624SA2-221	ASSY, CARRIAGE, 624/FLT562,BLACK	2.02
CW624SA2-231	ASSY, CARRIAGE, 624/FLT562,RED	2.03
CW624SA2-241	ASSY, CARRIAGE, 624/FLT562,PLAT SPK	2.04
CW624SA2-251	ASSY, CARRIAGE, 624/FLT562,SILVER	2.05
CW624SA2-261	ASSY, CARRIAGE, 624/FLT562,BLUE	2.06
CW624SA2-271	ASSY, CARRIAGE, 624/FLT562,CHARCOAL	2.07
CW624SA2-281	ASSY, CARRIAGE, 624/FLT562,CATH GRY	2.08
CW624SA2-291	ASSY, CARRIAGE, 624/FLT562,SILVER V	2.09
CW624SA2-311	ASSY, CARRIAGE, 624/FLT562,STONE HG	2.11
CW624SA2-321	ASSY, CARRIAGE, 624/FLT562,TITANIUM	2.12
CW624SA2-331	ASSY, CARRIAGE, 624/FLT562,WHITE GL	2.13
CW624SA2-341	ASSY, CARRIAGE, 624/FLT562,BLACK ON	2.14
CW624SA2-351	ASSY, CARRIAGE, 624/FLT562,LIGHT BR	2.15
CW624SA2-361	ASSY, CARRIAGE, 624/FLT562,SAPPHIRE	2.16
CW624SA3-211	ASSY, FOOT PEDAL STOP, 624/FLT562,	3.01
CW624SA3-221	ASSY, FOOT PEDAL STOP, 624/FLT562,	3.02
CW624SA3-231	ASSY, FOOT PEDAL STOP, 624/FLT562,	3.03
CW624SA3-241	ASSY, FOOT PEDAL STOP, 624/FLT562,	3.04
CW624SA3-251	ASSY, FOOT PEDAL STOP, 624/FLT562,	3.05
CW624SA3-261	ASSY, FOOT PEDAL STOP, 624/FLT562,	3.06
CW624SA3-271	ASSY, FOOT PEDAL STOP, 624/FLT562,	3.07
CW624SA3-281	ASSY, FOOT PEDAL STOP, 624/FLT562,	3.08
CW624SA3-291	ASSY, FOOT PEDAL STOP, 624/FLT562,	3.09
CW624SA3-311	ASSY, FOOT PEDAL STOP, 624/FLT562,	3.11
CW624SA3-321	ASSY, FOOT PEDAL STOP, 624/FLT562,	3.12
CW624SA3-331	ASSY, FOOT PEDAL STOP, 624/FLT562,	3.13
CW624SA3-341	ASSY, FOOT PEDAL STOP, 624/FLT562,	3.14
CW624SA3-351	ASSY, FOOT PEDAL STOP, 624/FLT562,	3.15
CW624SA3-361	ASSY, FOOT PEDAL STOP, 624/FLT562,	3.16
CW30057-101	LABEL,INSTRUCTION,624 FACE IN	4
CW30058-101	LABEL,INSTRUCTION,624 FACE OUT	5
CW10043-134	BUSHING, BRONZE, 1" ID X 1 1/4" OD	7
CW12406-101	PILLOW BLOCK, BEARING, 2 BOLT	8

CW11311-102	ENDCAP, REC TUBE, 2X4, BLK PLASTIC	9
CW12402-101	BUMPER, WEIGHT STACK, BLK RUBBER	10
CWGR2604-250	GRIP,RUBBER, 1" DIA, 4-1/4"	14
CWGR2605-500	GRIP,RUBBER, 1" DIA, 5-1/2"	15
CWAC218-901	HANDLE END CAP W/SET SCREWS, DIA 1"	16
CWAC219-901	HNDL RETAINER RNG, W/SS,1.020" I.D.	17
CW30505-101	CUT PIECE, CREPE, 1/4 X 25 X 21 X 3	18
CWCP1002-101	CUT PIECE, CREPE, 1/4 X 2 ID X 4 1/	19
CW30014-103	CUT PIECE, CREPE, 7/16 X 2 X 2	20
CW30013-106	CUT PIECE, CREPE, 1/4 X 3 5/8 X 17	21
CW30014-106	CUT PIECE, CREPE, 7/16 X 2 X 5	22
CWGR2602-750	GRIP,RUBBER, 1" DIA, 2-3/4"	23
CWGR2604-000	GRIP,RUBBER, 1" DIA, 4	24
CWPD1309D-101	PAD,9X17.5X31.5,3HL,W/PLATE,BLACK	25.01
CWPD1309D-102	PAD,9X17.5X31.5,3HL,W/PLATE,RYL BL	25.02
CWPD1309D-103	PAD,9X17.5X31.5,3HL,W/PLATE,DVE GRY	25.03
CWPD1309D-104	PAD,9X17.5X31.5,3HL,W/PLATE,CROCUS	25.04
CWPD1309D-105	PAD,9X17.5X31.5,3HL,W/PLATE,GROTTO	25.05
CWPD1309D-106	PAD,9X17.5X31.5,3HL,W/PLATE,GRAPHIT	25.06
CWPD1309D-107	PAD,9X17.5X31.5,3HL,W/PLATE,RED	25.07
CWPD1309D-108	PAD,9X17.5X31.5,3HL,W/PLATE,CHN GRN	25.08
CWPD1309D-109	PAD,9X17.5X31.5,3HL,W/PLATE,TURQSE	25.09
CWPD1309D-110	PAD,9X17.5X31.5,3HL,W/PLATE,RASP	25.1
CWPD1309D-111	PAD,9X17.5X31.5,3HL,W/PLATE,PLUM	25.11
CWPD1309D-112	PAD,9X17.5X31.5,3HL,W/PLATE,REGIMEN	25.12
CWPD1309D-113	PAD,9X17.5X31.5,3HL,W/PLATE,SPC BLU	25.13
CWPD1309D-115	PAD,9X17.5X31.5,3HL,W/PLATE,BLK LTH	25.15
CWPD1309D-116	PAD,9X17.5X31.5,3HL,W/PLATE,NVBL LT	25.16
CWPD1309D-117	PAD,9X17.5X31.5,3HL,W/PLATE,PUTTY	25.17
CWPD1309D-118	PAD,9X17.5X31.5,3HL,W/PLATE,IMPL BL	25.18
CWPD1309D-119	PAD,9X17.5X31.5,3HL,W/PLATE,YEW GRN	25.19
CWPD1309D-120	PAD,9X17.5X31.5,3HL,W/PLATE,DSTY JD	25.2
CWPD1309D-121	PAD,9X17.5X31.5,3HL,W/PLATE,TER COT	25.21
CWPD1309D-122	PAD,9X17.5X31.5,3HL,W/PLATE,PAPRIKA	25.22
CWPD1309D-123	PAD,9X17.5X31.5,3H,W/PLT,ASH LTHR	25.23
CWPD1309D-124	PAD,9X17.5X31.5,3H,W/PLT,CERULN LTH	25.24
CWPD1309D-125	PAD,9X17.5X31.5,3H,W/PLT,CHARCL LTH	25.25
CWPD1309D-126	PAD,9X17.5X31.5,3H,W/PLT,HUNTR LTH	25.26
CWPD1309D-127	PAD,9X17.5X31.5,3H,W/PLT,MOSS LTHR	25.27
CWPD1309D-128	PAD,9X17.5X31.5,3H,W/PLT,SPICE LTHR	25.28
CWPD1309D-129	PAD,9X17.5X31.5,3H,W/PLT,TOMTO LTHR	25.29
CWPD1310B-101	PAD,4.5X10-9/16,2HOLES,W/BP,BLACK	26.01
CWPD1310B-102	PAD,4.5X10-9/16,2HOLES,W/BP,RY BL	26.02
CWPD1310B-103	PAD,4.5X10-9/16,2HOLES,W/BP,DV GR	26.03
CWPD1310B-104	PAD,4.5X10-9/16,2HOLES,W/BP,CRCUS	26.04
CWPD1310B-105	PAD,4.5X10-9/16,2HOLES,W/BP,GROTT	26.05
CWPD1310B-107	PAD,4.5X10-9/16,2HOLES,W/BP,RED	26.07
CWPD1310B-108	PAD,4.5X10-9/16,2HOLES,W/BP,CH GR	26.08
CWPD1310B-109	PAD,4.5X10-9/16,2HOLES,W/BP,TURQS	26.09
CWPD1310B-110	PAD,4.5X10-9/16,2HOLES,W/BP,RASP	26.1
CWPD1310B-111	PAD,4.5X10-9/16,2HOLES,W/BP,PLUM	26.11

CWPD1310B-112	PAD,4.5X10-9/16,2HOLES,W/BP,RGMNT	26.12
CWPD1310B-113	PAD,4.5X10-9/16,2HOLES,W/BP,SPC BL	26.13
CWPD1310B-115	PAD,4.5X10-9/16,2HOLES,W/BP,BLK LTH	26.15
CWPD1310B-116	PAD,4.5X10-9/16,2HOLES,W/BP,NBL LTH	26.16
CWPD1310B-117	PAD,4.5X10-9/16,2HOLES,W/BP,PUTTY	26.17
CWPD1310B-118	PAD,4.5X10-9/16,2HOLES,W/BP,IMPL BL	26.18
CWPD1310B-119	PAD,4.5X10-9/16,2HOLES,W/BP,YEW GRN	26.19
CWPD1310B-120	PAD,4.5X10-9/16,2HOLES,W/BP,DSTY JD	26.2
CWPD1310B-121	PAD,4.5X10-9/16,2HOLES,W/BP,TER COT	26.21
CWPD1310B-122	PAD,4.5X10-9/16,2HOLES,W/BP,PAPRIKA	26.22
CWPD1310B-123	PAD,4.5X10-9/16,2H,W/BP,ASH LTHR	26.23
CWPD1310B-124	PAD,4.5X10-9/16,2H,W/BP,CERULN LTH	26.24
CWPD1310B-125	PAD,4.5X10-9/16,2H,W/BP,CHARCL LTH	26.25
CWPD1310B-126	PAD,4.5X10-9/16,2H,W/BP,HUNTER LTH	26.26
CWPD1310B-127	PAD,4.5X10-9/16,2H,W/BP,MOSS LTHR	26.27
CWPD1310B-128	PAD,4.5X10-9/16,2H,W/BP,SPICE LTHR	26.28
CWPD1310B-129	PAD,4.5X10-9/16,2H,W/BP,TOMATO LTHR	26.29
CWPD1311J-101	PD,ANG,2P(4.5X10.13)(4.5X6.75)BLK,W	27.01
CWPD1311J-102	PD,ANG,2P(4.5X10.13)(4.5X6.75)RY BL	27.02
CWPD1311J-103	PD,ANG,2P(4.5X10.13)(4.5X6.75)DV GR	27.03
CWPD1311J-104	PD,ANG,2P(4.5X10.13)(4.5X6.75)CRCS,	27.04
CWPD1311J-105	PD,ANG,2P(4.5X10.13)(4.5X6.75)GRTO,	27.05
CWPD1311J-106	PD,ANG,2P(4.5X10.13)(4.5X6.75)GRPHT	27.06
CWPD1311J-107	PD,ANG,2P(4.5X10.13)(4.5X6.75)RED,W	27.07
CWPD1311J-108	PD,ANG,2P(4.5X10.13)(4.5X6.75)CHGR,	27.08
CWPD1311J-109	PD,ANG,2P(4.5X10.13)(4.5X6.75)TRQS,	27.09
CWPD1311J-110	PD,ANG,2P(4.5X10.13)(4.5X6.75)RASP,	27.1
CWPD1311J-111	PD,ANG,2P(4.5X10.13)(4.5X6.75)PLUM,	27.11
CWPD1311J-112	PD,ANG,2P(4.5X10.13)(4.5X6.75)RGMNT,	27.12
CWPD1311J-113	PD,ANG,2P(4.5X10.13)(4.5X6.75)SP BL	27.13
CWPD1311J-115	PD,AN,2P(4.5X10.13)(4.5X6.75)BLK LT	27.15
CWPD1311J-116	PD,AN,2P(4.5X10.13)(4.5X6.75)NBL LT	27.16
CWPD1311J-117	PD,ANG,2P(4.5X10.13)(4.5X6.75),PUTT	27.17
CWPD1311J-118	PD,ANG,2P(4.5X10.13)4.5X6.75,IMP BL	27.18
CWPD1311J-119	PD,ANG,2P(4.5X10.13)4.5X6.75,YW GRN	27.19
CWPD1311J-120	PD,ANG,2P(4.5X10.13)4.5X6.75,DST JD	27.2
CWPD1311J-121	PD,ANG,2P(4.5X10.13)4.5X6.75,TRA CT	27.21
CWPD1311J-122	PD,ANG,2P(4.5X10.13)4.5X6.75,PAPRKA	27.22
CWPD1311J-123	PD,ANG,2P,4.5X10.13,4.5X6.75,ASH LT	27.23
CWPD1311J-124	PD,AN,2P,4.5X10.13,4.5X6.75,CRL	27.24
CWPD1311J-125	PD,AN,2P,4.5X10.13,4.5X6.75,CHRC LT	27.25
CWPD1311J-126	PD,AN,2P,4.5X10.13,4.5X6.75,HNTR LT	27.26
CWPD1311J-127	PD,AN,2P,4.5X10.13,4.5X6.75,MSS LTH	27.27
CWPD1311J-128	PD,AN,2P,4.5X10.13,4.5X6.75,SPC LTH	27.28
CWPD1311J-129	PD,AN,2P,4.5X10.13,4.5X6.75,TMTO LT	27.29
CWPF3441-741	TUBE,STEEL RND DOM 1/2 ID X 0.995"	28
CWPF1468-741	BAR,STEEL RND, DIA 1 1/4" X (14), 1	29
CWSA1098-741	ASSY, WEIGHT HOLDER, 63 1/4",CLR ZI	30
CWHCYN050-550	SCREW, HEX,BLK, 1/2-13 X 5 1/2	31
CWKDYN050-059	LOCKNUT, NYLON INSERT, FULL, UNC, 1	32
CWKADLN031-053	NUT, ACORN, 5/16-18	33

CWTAYN031-100	SCREW, BUTTON HEAD, BLK XYLAN, 5/1	34
CWTAYN031-300	SCREW, BUTTON HEAD, BLK XYLAN,5/16	35
CWTAYN050-100	SCREW, BUTTON HEAD, BLK XYLAN, 1/2	36
CWTAYN031-250	SCREW, BUTTON HEAD, BLK XYLAN, 5/	37
CWWBKN031-007	WASHER, FLAT, TYPE A, SAE, 5/16 ID	38
CWWBKN038-007	WASHER, FLAT, TYPE A, SAE, 3/8 ID	39
CWWBKN050-010	WASHER, FLAT, TYPE A, SAE, 1/2 ID X	40
CWWALYN031-008	WASHER, SPLIT, 5/16 ID, BL	41
CWWALYN038-009	WASHER, SPLIT, 3/8 ID, BLK XYLAN	42
CWWALYN050-013	WASHER, SPLIT, 1/2 ID, BLK XYLAN	43
CWCAYN038-275	SCREW, SOCKET HEAD, BLK XYLAN, 3/	44
CW30010-101	LABEL,WARNING STRENGTH	45
CW30057-101	LABEL,INSTRUCTION,624 FACE IN	46
CW30058-101	LABEL,INSTRUCTION,624 FACE OUT	47
CW31756-101	LABEL, PRECOR USA ICARIAN LINE	48
CW31759-101	LABEL,SMALL PRECOR USA ICARIAN LINE	49
CWAC1177-101	FLOOR PROTECTOR, RUBBER, 4.563 X 4.	501
CWAC1178-101	FLOOR PROTECTOR, RUBBER, 2.563 X 6.	502



**562 Flite Power Squat**

<b>Part Number</b>	<b>Description</b>	<b>Bubble Number</b>
CW624SA1-211	ASSY,624/FLT562 MAIN FRAME, SKY WHI	1.01
CW624SA1-221	ASSY,624/FLT562 MAIN FRAME, BLACK	1.02
CW624SA1-231	ASSY,624/FLT562 MAIN FRAME, RED	1.03
CW624SA1-241	ASSY,624/FLT562 MAIN FRAME, PLATINU	1.04
CW624SA1-251	ASSY,624/FLT562 MAIN FRAME, SILVER	1.05
CW624SA1-261	ASSY,624/FLT562 MAIN FRAME, BLUE	1.06
CW624SA1-271	ASSY,624/FLT562 MAIN FRAME, CHARCOA	1.07
CW624SA1-281	ASSY,624/FLT562 MAIN FRAME, CATHEDR	1.08
CW624SA1-291	ASSY,624/FLT562 MAIN FRAME,SILVER V	1.09
CW624SA1-311	ASSY,624/FLT562 MAIN FRAME, STONE H	1.11
CW624SA1-321	ASSY,624/FLT562 MAIN FRAME,TITANIUM	1.12
CW624SA1-331	ASSY,624/FLT562 MAIN FRAME,WHITE GL	1.13
CW624SA1-341	ASSY,624/FLT562 MAIN FRAME,BLACK ON	1.14
CW624SA1-351	ASSY,624/FLT562 MAIN FRAME,LIGHT BR	1.15
CW624SA1-361	ASSY,624/FLT562 MAIN FRAME,SAPPHIRE	1.16
CW624SA2-211	ASSY, CARRIAGE, 624/FLT562,SKY WHIT	2.01
CW624SA2-221	ASSY, CARRIAGE, 624/FLT562,BLACK	2.02
CW624SA2-231	ASSY, CARRIAGE, 624/FLT562,RED	2.03
CW624SA2-241	ASSY, CARRIAGE, 624/FLT562,PLAT SPK	2.04
CW624SA2-251	ASSY, CARRIAGE, 624/FLT562,SILVER	2.05
CW624SA2-261	ASSY, CARRIAGE, 624/FLT562,BLUE	2.06
CW624SA2-271	ASSY, CARRIAGE, 624/FLT562,CHARCOAL	2.07
CW624SA2-281	ASSY, CARRIAGE, 624/FLT562,CATH GRY	2.08
CW624SA2-291	ASSY, CARRIAGE, 624/FLT562,SILVER V	2.09
CW624SA2-311	ASSY, CARRIAGE, 624/FLT562,STONE HG	2.11
CW624SA2-321	ASSY, CARRIAGE, 624/FLT562,TITANIUM	2.12
CW624SA2-331	ASSY, CARRIAGE, 624/FLT562,WHITE GL	2.13
CW624SA2-341	ASSY, CARRIAGE, 624/FLT562,BLACK ON	2.14
CW624SA2-351	ASSY, CARRIAGE, 624/FLT562,LIGHT BR	2.15
CW624SA2-361	ASSY, CARRIAGE, 624/FLT562,SAPPHIRE	2.16
CW624SA3-211	ASSY, FOOT PEDAL STOP, 624/FLT562,	3.01
CW624SA3-221	ASSY, FOOT PEDAL STOP, 624/FLT562,	3.02
CW624SA3-231	ASSY, FOOT PEDAL STOP, 624/FLT562,	3.03
CW624SA3-241	ASSY, FOOT PEDAL STOP, 624/FLT562,	3.04
CW624SA3-251	ASSY, FOOT PEDAL STOP, 624/FLT562,	3.05
CW624SA3-261	ASSY, FOOT PEDAL STOP, 624/FLT562,	3.06
CW624SA3-271	ASSY, FOOT PEDAL STOP, 624/FLT562,	3.07
CW624SA3-281	ASSY, FOOT PEDAL STOP, 624/FLT562,	3.08
CW624SA3-291	ASSY, FOOT PEDAL STOP, 624/FLT562,	3.09
CW624SA3-311	ASSY, FOOT PEDAL STOP, 624/FLT562,	3.11
CW624SA3-321	ASSY, FOOT PEDAL STOP, 624/FLT562,	3.12
CW624SA3-331	ASSY, FOOT PEDAL STOP, 624/FLT562,	3.13
CW624SA3-341	ASSY, FOOT PEDAL STOP, 624/FLT562,	3.14
CW624SA3-351	ASSY, FOOT PEDAL STOP, 624/FLT562,	3.15
CW624SA3-361	ASSY, FOOT PEDAL STOP, 624/FLT562,	3.16
CW30057-101	LABEL,INSTRUCTION,624 FACE IN	4
CW30058-101	LABEL,INSTRUCTION,624 FACE OUT	5
CW10043-134	BUSHING, BRONZE, 1" ID X 1 1/4" OD	7
CW12406-101	PILLOW BLOCK, BEARING, 2 BOLT	8

CW11311-102	ENDCAP, REC TUBE, 2X4, BLK PLASTIC	9
CW12402-101	BUMPER, WEIGHT STACK, BLK RUBBER	10
CWGR2604-250	GRIP,RUBBER, 1" DIA, 4-1/4"	14
CWGR2605-500	GRIP,RUBBER, 1" DIA, 5-1/2"	15
CWAC218-901	HANDLE END CAP W/SET SCREWS, DIA 1"	16
CWAC219-901	HNDL RETAINER RNG, W/SS,1.020" I.D.	17
CW30505-101	CUT PIECE, CREPE, 1/4 X 25 X 21 X 3	18
CWCP1002-101	CUT PIECE, CREPE, 1/4 X 2 ID X 4 1/	19
CW30014-103	CUT PIECE, CREPE, 7/16 X 2 X 2	20
CW30013-106	CUT PIECE, CREPE, 1/4 X 3 5/8 X 17	21
CW30014-106	CUT PIECE, CREPE, 7/16 X 2 X 5	22
CWGR2602-750	GRIP,RUBBER, 1" DIA, 2-3/4"	23
CWGR2604-000	GRIP,RUBBER, 1" DIA, 4	24
CWPD1309D-101	PAD,9X17.5X31.5,3HL,W/PLATE,BLACK	25.01
CWPD1309D-102	PAD,9X17.5X31.5,3HL,W/PLATE,RYL BL	25.02
CWPD1309D-103	PAD,9X17.5X31.5,3HL,W/PLATE,DVE GRY	25.03
CWPD1309D-104	PAD,9X17.5X31.5,3HL,W/PLATE,CROCUS	25.04
CWPD1309D-105	PAD,9X17.5X31.5,3HL,W/PLATE,GROTTO	25.05
CWPD1309D-106	PAD,9X17.5X31.5,3HL,W/PLATE,GRAPHIT	25.06
CWPD1309D-107	PAD,9X17.5X31.5,3HL,W/PLATE,RED	25.07
CWPD1309D-108	PAD,9X17.5X31.5,3HL,W/PLATE,CHN GRN	25.08
CWPD1309D-109	PAD,9X17.5X31.5,3HL,W/PLATE,TURQSE	25.09
CWPD1309D-110	PAD,9X17.5X31.5,3HL,W/PLATE,RASP	25.1
CWPD1309D-111	PAD,9X17.5X31.5,3HL,W/PLATE,PLUM	25.11
CWPD1309D-112	PAD,9X17.5X31.5,3HL,W/PLATE,REGIMEN	25.12
CWPD1309D-113	PAD,9X17.5X31.5,3HL,W/PLATE,SPC BLU	25.13
CWPD1309D-115	PAD,9X17.5X31.5,3HL,W/PLATE,BLK LTH	25.15
CWPD1309D-116	PAD,9X17.5X31.5,3HL,W/PLATE,NVBL LT	25.16
CWPD1309D-117	PAD,9X17.5X31.5,3HL,W/PLATE,PUTTY	25.17
CWPD1309D-118	PAD,9X17.5X31.5,3HL,W/PLATE,IMPL BL	25.18
CWPD1309D-119	PAD,9X17.5X31.5,3HL,W/PLATE,YEW GRN	25.19
CWPD1309D-120	PAD,9X17.5X31.5,3HL,W/PLATE,DSTY JD	25.2
CWPD1309D-121	PAD,9X17.5X31.5,3HL,W/PLATE,TER COT	25.21
CWPD1309D-122	PAD,9X17.5X31.5,3HL,W/PLATE,PAPRIKA	25.22
CWPD1309D-123	PAD,9X17.5X31.5,3H,W/PLT,ASH LTHR	25.23
CWPD1309D-124	PAD,9X17.5X31.5,3H,W/PLT,CERULN LTH	25.24
CWPD1309D-125	PAD,9X17.5X31.5,3H,W/PLT,CHARCL LTH	25.25
CWPD1309D-126	PAD,9X17.5X31.5,3H,W/PLT,HUNTR LTH	25.26
CWPD1309D-127	PAD,9X17.5X31.5,3H,W/PLT,MOSS LTHR	25.27
CWPD1309D-128	PAD,9X17.5X31.5,3H,W/PLT,SPICE LTHR	25.28
CWPD1309D-129	PAD,9X17.5X31.5,3H,W/PLT,TOMTO LTHR	25.29
CWPD1310B-101	PAD,4.5X10-9/16,2HOLES,W/BP,BLACK	26.01
CWPD1310B-102	PAD,4.5X10-9/16,2HOLES,W/BP,RY BL	26.02
CWPD1310B-103	PAD,4.5X10-9/16,2HOLES,W/BP,DV GR	26.03
CWPD1310B-104	PAD,4.5X10-9/16,2HOLES,W/BP,CRCUS	26.04
CWPD1310B-105	PAD,4.5X10-9/16,2HOLES,W/BP,GROTT	26.05
CWPD1310B-107	PAD,4.5X10-9/16,2HOLES,W/BP,RED	26.07
CWPD1310B-108	PAD,4.5X10-9/16,2HOLES,W/BP,CH GR	26.08
CWPD1310B-109	PAD,4.5X10-9/16,2HOLES,W/BP,TURQS	26.09
CWPD1310B-110	PAD,4.5X10-9/16,2HOLES,W/BP,RASP	26.1
CWPD1310B-111	PAD,4.5X10-9/16,2HOLES,W/BP,PLUM	26.11

CWPD1310B-112	PAD,4.5X10-9/16,2HOLES,W/BP,RGMNT	26.12
CWPD1310B-113	PAD,4.5X10-9/16,2HOLES,W/BP,SPC BL	26.13
CWPD1310B-115	PAD,4.5X10-9/16,2HOLES,W/BP,BLK LTH	26.15
CWPD1310B-116	PAD,4.5X10-9/16,2HOLES,W/BP,NBL LTH	26.16
CWPD1310B-117	PAD,4.5X10-9/16,2HOLES,W/BP,PUTTY	26.17
CWPD1310B-118	PAD,4.5X10-9/16,2HOLES,W/BP,IMPL BL	26.18
CWPD1310B-119	PAD,4.5X10-9/16,2HOLES,W/BP,YEW GRN	26.19
CWPD1310B-120	PAD,4.5X10-9/16,2HOLES,W/BP,DSTY JD	26.2
CWPD1310B-121	PAD,4.5X10-9/16,2HOLES,W/BP,TER COT	26.21
CWPD1310B-122	PAD,4.5X10-9/16,2HOLES,W/BP,PAPRIKA	26.22
CWPD1310B-123	PAD,4.5X10-9/16,2H,W/BP,ASH LTHR	26.23
CWPD1310B-124	PAD,4.5X10-9/16,2H,W/BP,CERULN LTH	26.24
CWPD1310B-125	PAD,4.5X10-9/16,2H,W/BP,CHARCL LTH	26.25
CWPD1310B-126	PAD,4.5X10-9/16,2H,W/BP,HUNTER LTH	26.26
CWPD1310B-127	PAD,4.5X10-9/16,2H,W/BP,MOSS LTHR	26.27
CWPD1310B-128	PAD,4.5X10-9/16,2H,W/BP,SPICE LTHR	26.28
CWPD1310B-129	PAD,4.5X10-9/16,2H,W/BP,TOMATO LTHR	26.29
CWPD1311J-101	PD,ANG,2P(4.5X10.13)(4.5X6.75)BLK,W	27.01
CWPD1311J-102	PD,ANG,2P(4.5X10.13)(4.5X6.75)RY BL	27.02
CWPD1311J-103	PD,ANG,2P(4.5X10.13)(4.5X6.75)DV GR	27.03
CWPD1311J-104	PD,ANG,2P(4.5X10.13)(4.5X6.75)CRCS,	27.04
CWPD1311J-105	PD,ANG,2P(4.5X10.13)(4.5X6.75)GRTO,	27.05
CWPD1311J-106	PD,ANG,2P(4.5X10.13)(4.5X6.75)GRPHT	27.06
CWPD1311J-107	PD,ANG,2P(4.5X10.13)(4.5X6.75)RED,W	27.07
CWPD1311J-108	PD,ANG,2P(4.5X10.13)(4.5X6.75)CHGR,	27.08
CWPD1311J-109	PD,ANG,2P(4.5X10.13)(4.5X6.75)TRQS,	27.09
CWPD1311J-110	PD,ANG,2P(4.5X10.13)(4.5X6.75)RASP,	27.1
CWPD1311J-111	PD,ANG,2P(4.5X10.13)(4.5X6.75)PLUM,	27.11
CWPD1311J-112	PD,ANG,2P(4.5X10.13)(4.5X6.75)RGMT,	27.12
CWPD1311J-113	PD,ANG,2P(4.5X10.13)(4.5X6.75)SP BL	27.13
CWPD1311J-115	PD,AN,2P(4.5X10.13)(4.5X6.75)BLK LT	27.15
CWPD1311J-116	PD,AN,2P(4.5X10.13)(4.5X6.75)NBL LT	27.16
CWPD1311J-117	PD,ANG,2P(4.5X10.13)(4.5X6.75),PUTT	27.17
CWPD1311J-118	PD,ANG,2P(4.5X10.13)4.5X6.75,IMP BL	27.18
CWPD1311J-119	PD,ANG,2P(4.5X10.13)4.5X6.75,YW GRN	27.19
CWPD1311J-120	PD,ANG,2P(4.5X10.13)4.5X6.75,DST JD	27.2
CWPD1311J-121	PD,ANG,2P(4.5X10.13)4.5X6.75,TRA CT	27.21
CWPD1311J-122	PD,ANG,2P(4.5X10.13)4.5X6.75,PAPRKA	27.22
CWPD1311J-123	PD,ANG,2P,4.5X10.13,4.5X6.75,ASH LT	27.23
CWPD1311J-124	PD,AN,2P,4.5X10.13,4.5X6.75,CRL	27.24
CWPD1311J-125	PD,AN,2P,4.5X10.13,4.5X6.75,CHRC LT	27.25
CWPD1311J-126	PD,AN,2P,4.5X10.13,4.5X6.75,HNTR LT	27.26
CWPD1311J-127	PD,AN,2P,4.5X10.13,4.5X6.75,MSS LTH	27.27
CWPD1311J-128	PD,AN,2P,4.5X10.13,4.5X6.75,SPC LTH	27.28
CWPD1311J-129	PD,AN,2P,4.5X10.13,4.5X6.75,TMTO LT	27.29
CWPF3441-741	TUBE,STEEL RND DOM 1/2 ID X 0.995"	28
CWPF1468-741	BAR,STEEL RND, DIA 1 1/4" X (14), 1	29
CWSA1098-741	ASSY, WEIGHT HOLDER, 63 1/4",CLR ZI	30
CWHCYN050-550	SCREW, HEX,BLK, 1/2-13 X 5 1/2	31
CWKDYN050-059	LOCKNUT, NYLON INSERT, FULL, UNC, 1	32
CWKADLN031-053	NUT, ACORN, 5/16-18	33

CWTAYN031-100	SCREW, BUTTON HEAD, BLK XYLAN, 5/1	34
CWTAYN031-300	SCREW, BUTTON HEAD, BLK XYLAN, 5/16	35
CWTAYN050-100	SCREW, BUTTON HEAD, BLK XYLAN, 1/2	36
CWTAYN031-250	SCREW, BUTTON HEAD, BLK XYLAN, 5/	37
CWWBKN031-007	WASHER, FLAT, TYPE A, SAE, 5/16 ID	38
CWWBKN038-007	WASHER, FLAT, TYPE A, SAE, 3/8 ID	39
CWWBKN050-010	WASHER, FLAT, TYPE A, SAE, 1/2 ID X	40
CWWALYN031-008	WASHER, SPLIT, 5/16 ID, BL	41
CWWALYN038-009	WASHER, SPLIT, 3/8 ID, BLK XYLAN	42
CWWALYN050-013	WASHER, SPLIT, 1/2 ID, BLK XYLAN	43
CWCAYN038-275	SCREW, SOCKET HEAD, BLK XYLAN, 3/	44
CW30010-101	LABEL, WARNING STRENGTH	45
CW30057-101	LABEL, INSTRUCTION, 624 FACE IN	46
CW30058-101	LABEL, INSTRUCTION, 624 FACE OUT	47
CW31756-101	LABEL, PRECOR USA ICARIAN LINE	48
CW31759-101	LABEL, SMALL PRECOR USA ICARIAN LINE	49
CWAC1177-101	FLOOR PROTECTOR, RUBBER, 4.563 X 4.	501
CWAC1178-101	FLOOR PROTECTOR, RUBBER, 2.563 X 6.	502